



TRU-CLOSE®
ADJUSTABLE, SELF-CLOSING GATE HINGES

- NO RUST
- NO SAG
- NO BIND
- NO STAIN

QUALITY GATE HINGES – MADE TO LAST

TRU-CLOSE® safety gate hinges are injection-molded from special glass-fiber reinforced polymer materials. These UV-stabilized materials provide strong, rust-free hinges that won't bind, sag or stain! And they *never* require lubrication.

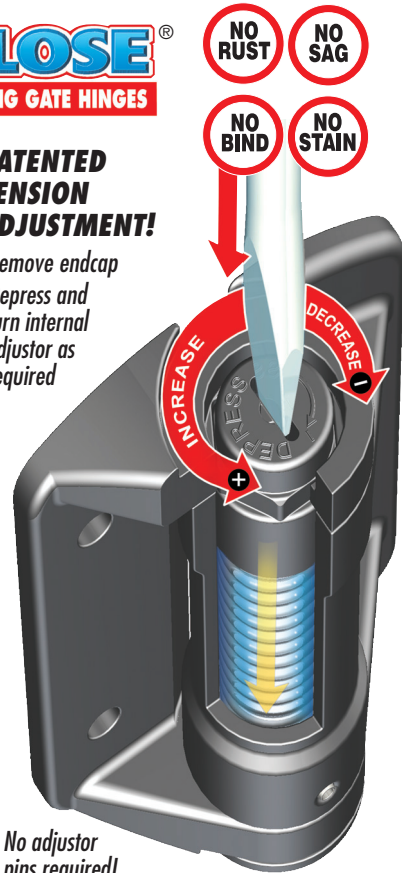
The unique, spring-loaded adjustor within most TRU-CLOSE hinges allows quick, incremental tension adjustment using only a screwdriver. Easy and safe! Gates of different sizes and weights incur different loads, so the ability to adjust tension quickly is critical, especially in child safety areas.

TRU-CLOSE® hinges come in **Regular and Heavy Duty models** to fit most gates and applications.



PATENTED TENSION ADJUSTMENT!

- Remove endcap
- Depress and turn internal adjustor as required



No adjustor pins required!

Features

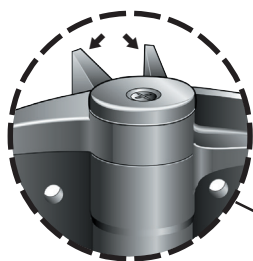
- Molded, reinforced polymer construction
- Unique, patented tension adjustment
- Internal stainless steel spring closer
- Weather-resistant, "self-lubricating" materials
- Regular & Heavy Duty hinge ranges
- Alignment Legs (for extra fitting strength)
- Quality Assurance ISO 9001 manufacturer
- Tested to 75,000 cycles (Reg.), 200,000 (HD)

Benefits

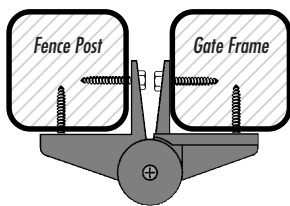
- No rusting, binding, sagging or staining!
- Quick, easy and safe adjustment
- No need for unsightly external spring
- Smooth, even closure.
- Models to fit all gates & applications
- Models to fit all gate materials
- Limited Lifetime Warranty
- Proven to last the test of time

MODEL DESIGN OPTIONS

OPTIONAL 2 LEGS (L2)



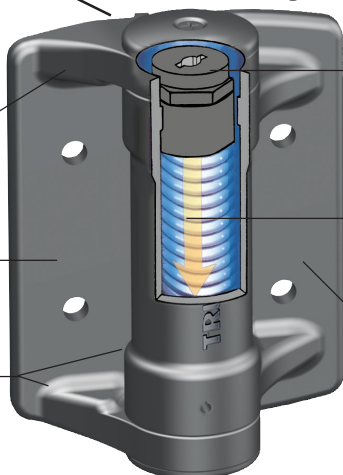
ALIGNMENT LEGS ("L2" models)
"QUICK-FIT" Alignment Legs for fast installation and added fitting strength. Two legs provide secure, double-face fixing.



REINFORCING RIBS
Molded ribs provide superior torsional and lateral leaf strength.

STYLISH "FLAT" FINISH
Textured black or white finish gives a stylish, modern look.

STRENGTH & STYLE
Subtle design features such as radiused corners and waisting provides strength and an attractive design.



PATENTED ADJUSTOR
Depress for tension. Rises back into sleeve to retain tension.

INTERNAL STAINLESS STEEL SPRING
Provides even closing tension for gates.

MOLDED HINGE BODY
Strong & rust-free. UV-stabilized polymers with glass-fiber reinforcement.

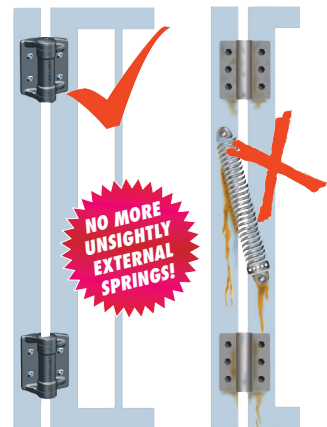
Gate load capacity:

Each hinge model has an indicator showing its recommended maximum gate load



TRU-CLOSE® SYSTEM

OLD-FASHIONED EXTERNAL SPRING



TRU-CLOSE® = REDUCED COSTS & INCREASED SAFETY

With TRU-CLOSE® there is no need to pay for or install any other external closing mechanism. TRU-CLOSE® hinges are also safer to adjust and safer for children.